

50L2200U

LED HDTV

TOSHIBA
Leading Innovation >>>

EXPERIENCE ENTERTAINMENT AT LARGE



High-Value LED with New Aero™ Design

The Toshiba L2200U HDTV gives big screen seekers what they crave: big, bold 1080p Full HD resolution at a value others can't beat. And with the sleek new Aero™ Design, it looks great with any décor.

1080p Full HD for True Home Theater Quality

Step up to 1080p Full HD² with more pixel resolution than standard HD for incredible image clarity to TV and your PC.

New Dynamic Picture Mode

Creates pictures that seem to pop off the screen. The new Dynamic Mode enhances color, sharpness, brightness and contrast to provide incredible picture quality.

New Audyssey® Audio Technology

Audyssey Premium Television is a suite of advanced audio technologies that helps produce clear, rich and natural sound. For the L2200U series the suite includes:

- Audyssey EQ®
- Audyssey ABX™ (Bass Extension)
- Audyssey Dynamic Volume®

Multiple HD Inputs

Full connectivity with two HDMI^{®3} HD Inputs and an HD PC Input, so the TV can also be used as a large PC monitor. (Great for PC gaming!)

LED TV

Offers a picture with deeper blacks, brighter whites and more vivid colors.

1080P FULL HD

Top HD picture quality with 1080p Full HD² resolution.

DYNALIGHT®

Dynamic Backlight Control for deeper blacks and more detail.

AERO DESIGN™

A sleeker, cleaner look that really stands out.

HDMI® X2

Easily connect to high-definition video and amazingly immersive surround sound in one cable.

USB MEDIA

Easily connect to your favorite tunes and photos, create slideshows, or listen to your personal playlists with this feature.

50L2200U

SPECIFICATIONS¹

TOSHIBA
Leading Innovation >>>

Screen Size: 50"

- Diagonal Screen Size: 49.5"
- Design: Aero™ Cosmetic Design

Panel

- Panel Type: LED
- Resolution: 1080P Full HD²
- Refresh Rate: 60Hz
- Backlight Control: DynaLight®

Video Chassis

- Dynamic Picture Mode
- Native Mode™
- Game Mode

Convenience

- Remote Control: Standard

Audio

- Audyssey Premium Television™
 - Audyssey EQ®
 - Audyssey ABX™
 - Audyssey Dynamic Volume®
- Speaker Output: 14W

Connectivity

- HDMI® with CEC³: 2
- USB Media: 1
- High Definition PC Input: 1
- 3.5mm PC Audio Input: 1
- Digital Audio Out: 1
- ColorStream® Component Video: 1
- Composite: 1

Product and Packaging

- VESA Mounting Pattern⁴: 400m x 400mm
- Limited Warranty: 1 Year Parts & Labor
- Power Consumption (On): 91W
- Power Consumption (Stand-by): 0.2W

Product Dimensions & Weights

- With Stand
 - Dimensions: 45.7" x 30.1" x 11.3"
 - Weight: 45.2 lbs.
- Without Stand
 - Dimensions: 45.7" x 28.2" x 3.9"
 - Weight: 41.4 lbs.
- In Packaging
 - Dimensions: 54.8" x 31.3" x 6.9"
 - Weight: 57.3 lbs.

ENERGY STAR® 5.3 Qualified

What's in the box

- Remote Control (CT-90325)
- Batteries (AAA x 2)
- Resource Guide
- Quick Start Guide
- Warranty

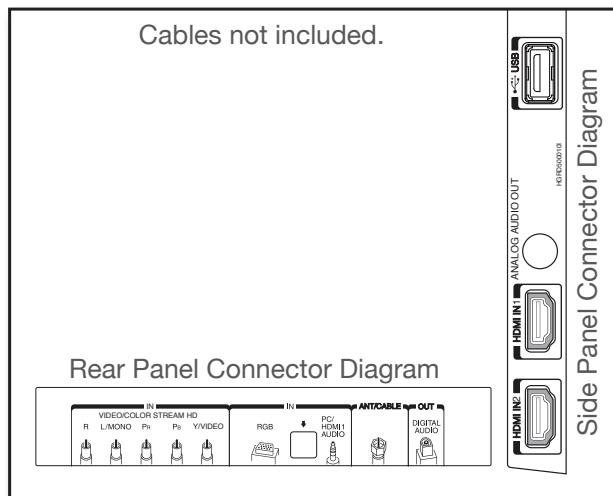
UPC Code: 022265065808

Country of Origin: Mexico

Remote Control (CT-90325)



Cables not included.



Related Products



Single DVD Player



Wi-Fi® Ready Blu-ray Disc™ Player



Wi-Fi® Built-in Blu-ray Disc™ Player

1. While every effort has been made at the time of publication to ensure the accuracy of the information provided herein, product specifications, configurations, system/component/options availability are subject to change without notice. 2. 1080p/24 fps encoded content and an HD display capable of accepting a 1080p/24Hz signal required for viewing 1080p/24 fps content. 3. Use of HDMI@-CEC requires an HDMI@-CEC compatible display/peripheral device. Depending on the specifications of your device, some or all HDMI@-CEC functions may not work even if your display/peripheral device is HDMI@-CEC compatible. 4. If you decide to wall mount your Toshiba television, always use a UL Listed wall bracket appropriate for the size and weight of the television. Care should be taken to place or install the display where it cannot be pushed, pulled over, or knocked down.

© 2012 Toshiba America Information Systems, Inc. ColorStream, DynaLight and Native Mode are registered trademarks or trademarks of Toshiba America Information Systems, Inc. and/or Toshiba Corporation. All other trademarks are the property of their respective owners. All rights reserved.