



does cause harmful interference to radio or television reception, which can be determined by turning the equipment off and on, the user is encouraged to try to correct the interference by one or more of the following measures:

- Reorient or relocate the receiving antenna.
- Increase the separation between the equipment and receiver.
- Connect the equipment into an outlet on a circuit different from that to which the receiver is connected.
- Consult the dealer or an experienced radio/TV technician for help.

**Caution:** Changes or modifications to this equipment not expressly approved by Toshiba could void the user's authority to operate this equipment.

#### Wireless Radio

For products available in the USA/Canada market, only channel 1-11 can be operated. Selection of other channels is not possible.

The device can automatically discontinue transmission in case of absence of information to transmit, or operational failure. Note that this is not intended to prohibit transmission of control or signaling information or the use of repetitive codes where required by the technology. If this device is going to be operated in 5.15-5.25 GHz frequency range, then it is restricted in indoor environment only.

#### FCC Radiation Exposure Statement:

This equipment complies with FCC radiation exposure limits set forth for an uncontrolled environment. This equipment should be installed and operated with minimum distance 20cm between the radiator & your body.

#### IMPORTANT NOTE:

IC Radiation Exposure Statement: This equipment complies with IC RSS-102 radiation exposure limits set forth for an uncontrolled environment. This equipment should be

installed and operated with minimum distance 20cm between the radiator & your body.

#### Canada - Industry Canada Statement

This device complies with RSS-210.

Operation is subject to the following two conditions: (1) This device may not cause harmful interference received, and (2) This device must accept any interference received, including interference that may cause undesired operation of the device.

This device and its antenna(s) must not be located or operating in conjunction with any other antenna or transmitter.

#### Important notes about your TV

The following symptoms are technical limitations of LCD Display technology and are not an indication of malfunction; therefore, Toshiba is not responsible for perceived issues resulting from these symptoms.

- 1) An afterimage (ghost) may appear on the screen if a fixed, non-moving image appears for a long period of time. The afterimage is not permanent and will disappear in a short period of time.
- 2) The LCD panel contained in this TV is manufactured using an extremely high level of precision technology; however, there may be an occasional pixel (dot of light) that does not operate properly (does not light, remains constantly lit, etc.). This is a structural property of LCD technology, is not a sign of malfunction, and is not covered under your warranty. Such pixels are not visible when the picture is viewed from a normal viewing distance.

**Note:** Interactive video games that involve shooting a "gun" type of joystick at an on-screen target may not work with this TV.

#### Trademark Information

- ColorStream is a trademark of Toshiba America Information Systems, Inc.
- Blu-ray Disc™, Blu-ray™, and the logos are trademarks of the Blu-ray Disc Association.
- The terms HDMI and HDMI High-Definition Multimedia Interface, and the HDMI Logo are trademarks or registered trademarks of HDMI Licensing LLC in the United States and other countries.
- Netflix is a registered trademark of Netflix, Inc.
- All other brand and product names are trademarks or registered trademarks of their respective companies.

#### Copyright

© 2014 by Toshiba America Information Systems, Inc. All rights reserved.

Under the copyright laws, this guide cannot be reproduced in any form without the prior written permission of Toshiba. No patent liability is assumed, however, with respect to the use of the information contained herein.

#### Notice

The information contained in this manual, including but not limited to any product specifications, is subject to change without notice.

**TOSHIBA CORPORATION, TOSHIBA AMERICA INFORMATION SYSTEMS, INC., TOSHIBA OF CANADA LIMITED AND TOSHIBA DE MEXICO, S.A. DE. C.V. (TOSHIBA) PROVIDES NO WARRANTY WITH REGARD TO THIS MANUAL OR ANY OTHER INFORMATION CONTAINED HEREIN AND HEREBY EXPRESSLY DISCLAIMS**

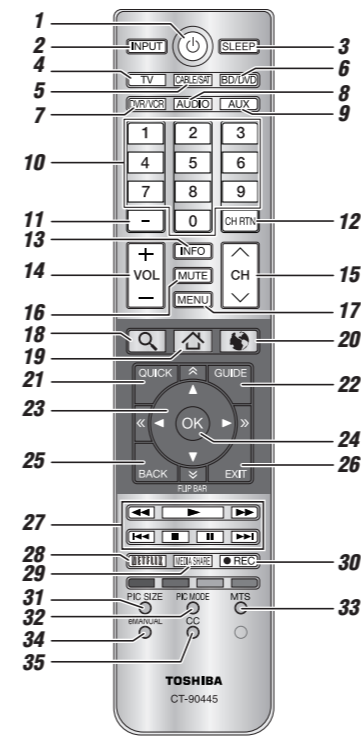
**ANY IMPLIED WARRANTIES OF MERCHANTABILITY OR FITNESS FOR ANY PARTICULAR PURPOSE WITH REGARD TO ANY OF THE FOREGOING. TOSHIBA ASSUMES NO LIABILITY FOR ANY DAMAGES INCURRED DIRECTLY OR INDIRECTLY FROM ANY TECHNICAL OR TYPOGRAPHICAL ERRORS OR OMISSIONS CONTAINED HEREIN OR FOR DISCREPANCIES BETWEEN THE PRODUCT AND THE MANUAL. IN NO EVENT SHALL TOSHIBA BE LIABLE FOR ANY INCIDENTAL, CONSEQUENTIAL DAMAGES, WHETHER BASED ON TORT, CONTRACT OR OTHERWISE, ARISING OUT OF OR IN CONNECTION WITH THIS MANUAL OR ANY OTHER INFORMATION CONTAINED HEREIN OR THE USE THEREOF.**

Services and features available through the Cloud may be changed or removed at any time. Services and features depicted or listed here and provided through the Cloud may not be available to you in your region.

#### Using the Remote

The buttons used for operating the TV are described here. For the HDMI® CEC remote control functions, see the "HDMI® CEC playback device (DVD player, etc.) control" section in the User's Guide.

**NOTE** The error message "Not Available" may appear if you press a key for a function that is not available.



(Sample Illustration) Remote control overview

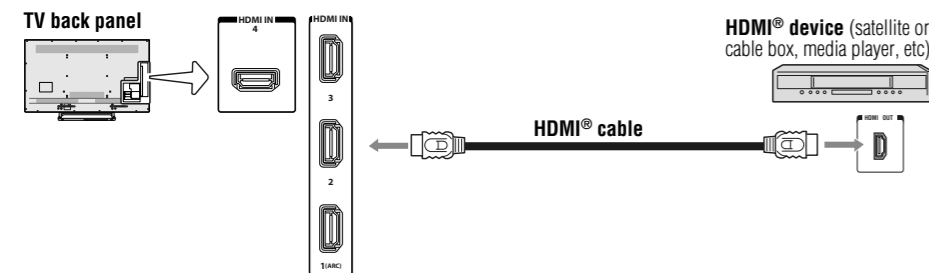
For detailed information, see the "Using the Remote Control" section in the User's Guide.

Item:	Description:	Function:	Item:	Description:	Function:
1	POWER button	Turns the TV On and Off. When the TV is on, the power LED indicator on the front of the TV glows green.	23	(▲/▼/◀/▶)	Selects or adjusts programming button menus when a menu is on-screen.
2	INPUT button	Selects the video input source.	(▲/▼/◀/▶)		Scrolls the page up, down, left, and right.
3	SLEEP button	Accesses the sleep timer.	FLIP BAR (☺) button		Accesses the Flip Bar.
4	TV button		24	OK button	Selects the highlighted items on the screen.
5	Cable/Satellite button	Sets the remote control mode to control the device: TV, CABLE/SAT, BD/DVD, DVR/VCR, AUDIO, or AUX.	25	BACK button	Returns to the previous screen.
6	BD/DVD button		26	EXIT button	Closes on-screen menus.
7	DVR/VCR button		27	(▶/◀/◀◀/▶▶/⏸)	▶ : PLAY button ◀ : REWIND button ▶▶ : FAST FORWARD button ◀◀ : SKIP-BACK button ▶▶ : SKIP-FORWARD button ⏸ : STOP button ⏸ : PAUSE button
8	Audio button		28	NETFLIX button	Launches the Netflix® application on-screen.
9	Auxiliary button		29	MEDIA SHARE button	Accesses the MediaShare function.
10	Channel Number buttons (0-9)	Directly tunes channels.	30	REC button	Used for external devices.
11	(-) button	Enters 2-part channel numbers.	31	PIC SIZE button	Cycles through the picture sizes.
12	CH RTN button	Returns to the last viewed channel or source.	32	PIC MODE button	Selects the picture mode.
13	INFO button	Displays TV status information as well as program details, when available.	33	MTS button	Selects the audio mode.
14	VOL (+/-) buttons	Adjusts the volume level.	34	eMANUAL button	Displays the option to view the eManual or the Cloud Guide. Internet connection required.
15	CH (▲/▼) buttons	Cycles through programmed channels.	35	CC button	Accesses the closed-caption feature.
16	MUTE button	Reduces or turns off the sound.			
17	MENU button	Accesses the main TV menu system.			
18	SEARCH button	Accesses the Search All function.			
19	HOME button	Accesses the Cloud Portal HOME.			
20	INTERNET button	Launches the web browser on-screen.			
21	QUICK button	Launches the Quick menu.			
22	GUIDE button	Launches the MediaGuide application on-screen.			

#### Connecting your TV

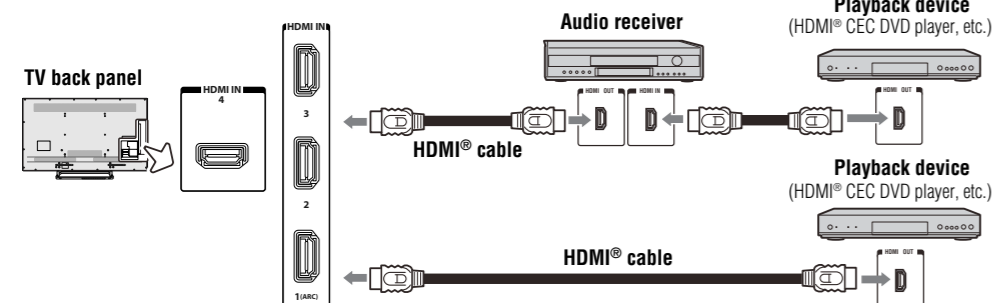
For detailed information, see the "Connecting your TV" section in the User's Guide.

#### Connecting an HDMI® device



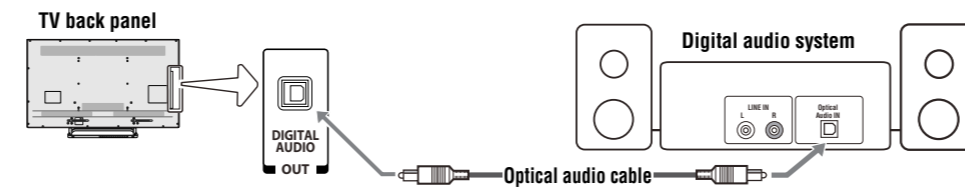
(Sample Illustration) HDMI® connections

#### Connecting an HDMI® CEC Device



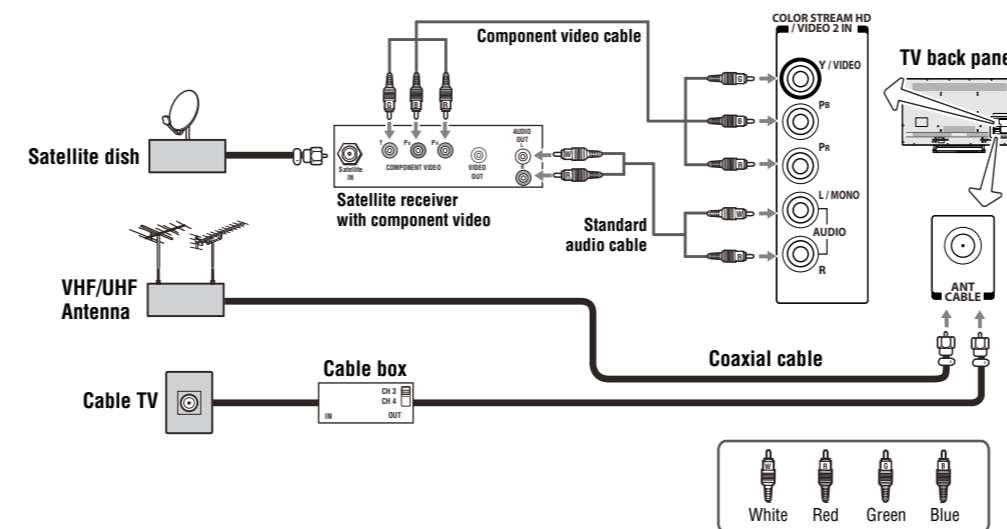
(Sample Illustration) HDMI® CEC connections

#### Connecting a digital audio system



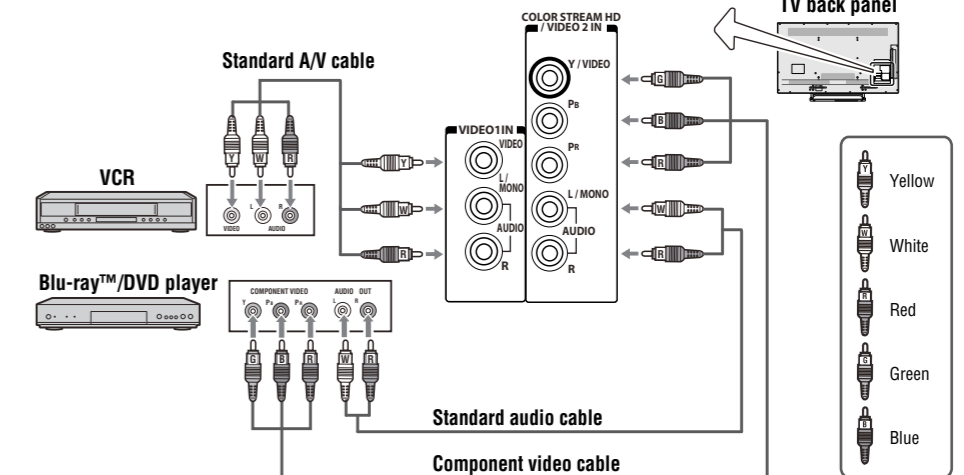
(Sample Illustration) Connecting a digital audio system

#### Connecting an antenna, satellite receiver, and cable TV box



(Sample Illustration) Connecting to an antenna, satellite receiver, and cable TV box.

#### Connecting a Blu-ray™/DVD player with ColorStream™ or a VCR with composite video



(Sample Illustration) Connecting a Blu-ray™ / DVD player with ColorStream™ or a VCR with composite video.

#### Troubleshooting

Refer to the "Troubleshooting" chapter in the online User's Guide. If you are still having trouble you may need to contact Toshiba for additional assistance.

#### Toshiba Support

If you require help or are having problems operating your product, contact Toshiba at Toshiba's Support Web site:

L7400U series: [support.toshiba.com](http://support.toshiba.com)

L7400UC series: [www.toshiba.ca/support/ceg](http://www.toshiba.ca/support/ceg)

L7400UM series: <http://www.toshiba.com.mx/tmConsumo/Informacion/Contacto.aspx?ID=SPT>

OR

For technical support, call the Toshiba Customer Support:

For L7400U series (United States model): (800) 631-3811 From Inside the United States ; (949) 583-3050 From Outside the United States

For L7400UC series (Canada model): 1-800-268-3404 From within Canada

For L7400UM series (Mexico model): 9126-5165, 9126-5166 and LADA 800 01-800-712-67-64. To see the list of authorized TOSHIBA service centers in Mexico, consult the Web site: [www.toshiba.com.mx](http://www.toshiba.com.mx)

